

**WAGA**  
wood love



**UNIQUE TABLEWARE**

Product Catalog

01/2018





# ABOUT

---

Waga Wood captures the simple perfection of nature in every exquisite piece we design.

Each product in our line is designed, crafted and finished by hand, ensuring each piece is a unique, one of a kind statement.

Waga wood products are grounded in nature and versatile in use and aesthetic, making them perfectly suited to chopping, serving or display.

Versatility of design makes them at home in any style from modern or scandi to rustic or traditional.

**Bring authentic style to your home with Waga Wood tableware.**



Traditionally handmade



Environment friendly



Natural protection







## SHIVA

Board Shiva is inspired by traditional decorative motif of half-rose in a triangle. This motif traditional was used for decoration of furniture drawers and table tops. Shiva is made for wonderful conversations at the dinner table.

## THE SHIVA

Shiva is characterized by:

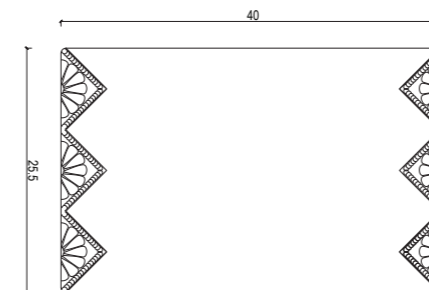
- Sharp lines and regular shape
- Edges toppling inwards
- Polished look
- Fine sanded finishing and velvety surface
- Oiled surface highly water and dirt repellent.
- Decorated by hand

**Dimensions:**

**length** 40 cm

**width** 25.5 cm

**thickness** 2.1 cm



Available in walnut and cherry wood.

cherry

walnut







# FLOWY

Board Flowy is inspired by traditional decorative motif of Bosnian rose. Flowy will beautify every space with its simplicity and grace.

## THE FLOWY

Flowy is characterized by:

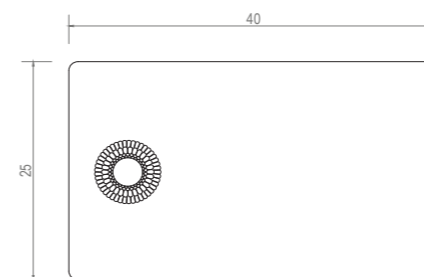
- Sharp lines and rectangular shape.
- A hanger/holder hole.
- Edges toppling inwards
- Polished look.
- Fine sanded finishing and velvety surface
- Oiled surface highly water and dirt repellent
- Decorated by firm hand of a craftsman

**Dimensions:**

**length** 40 cm

**width** 25 cm

**thickness** 2.1 cm



Available in walnut and cherry wood.

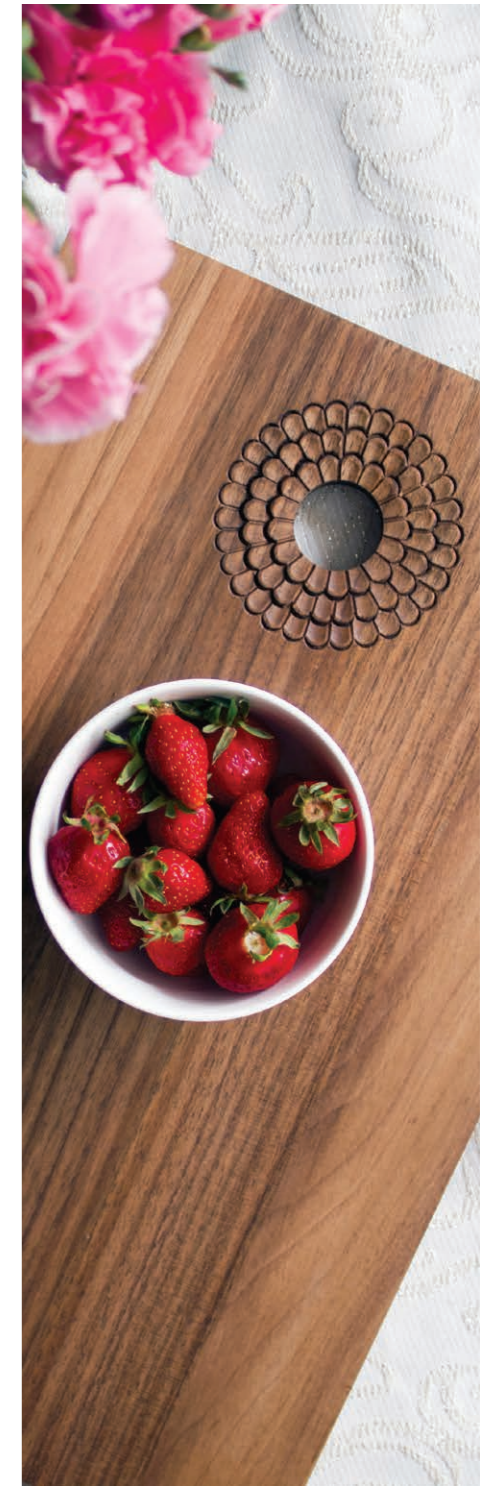


cherry



walnut

*\*Note: Dimensions may vary slightly due to manual production.*







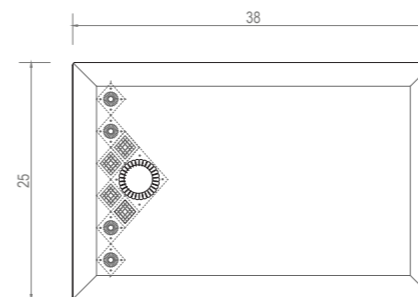
# SAMSARA

Board Samsara is inspired by traditional motif of “rich” continuous decorative pattern. Traditionally this decoration was made to fully cover the surface of the objects such as tabletops or drawer covers. Samsara will bring joyfulness and play to any party.

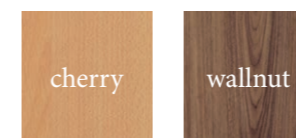
## THE SAMSARA

- Samsara is characterized by:
- Sharp lines and rectangular shape.
  - A hanger/holder hole.
  - Edges toppling inwards from center
  - Polished look.
  - Fine sanded finishing and velvety surface
  - Oiled surface highly water and dirt repellent
  - Decorated by firm hand of a craftsman

**Dimensions:**  
**length** 38 cm  
**width** 25cm  
**thickness** 2.2 cm



Available in walnut and cherry wood.



*\*Note: Dimensions may vary slightly due to manual production.*







# LOOP

Board Loop is inspired by traditional rose motifs. Connected together with continuous loops, two roses make up beautiful composition. Round shape with circular decorative handle, makes Loop one of the loveliest and most wanted models.

## THE LOOP

Loop is characterized by:

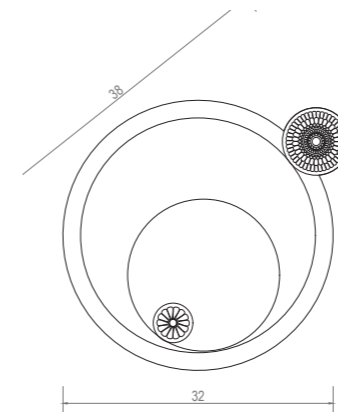
- Circular shape and soft lines
- A hanger/holder hole and handle
- Edges toppling inwards
- Polished look.
- Fine sanded finishing and velvety surface
- Oiled surface highly water and dirt repellent
- Decorated by firm hand of a craftsman

**Dimensions:**

radius 32 cm

length 38cm

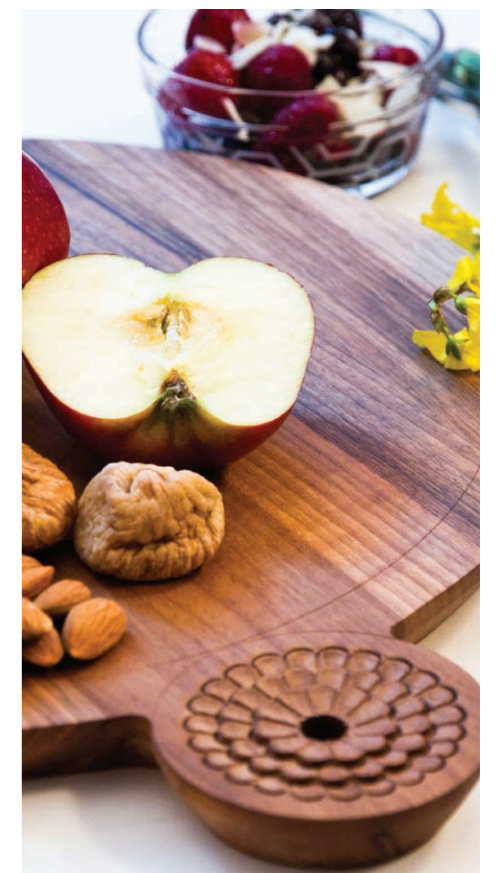
thikness 2.1 cm



Available in walnut and cherry wood.



*\*Note: Dimensions may vary slightly due to manual production.*







## SEA STAR

Board Sea Star is inspired by rich textures and an inverted rose. This model has interpreted traditional motifs that were modified by modern influence. Sea Star is the sweetest Waga model, perfect for serving cakes and pastry.

## THE SEA STAR

Sea Star is characterized by:

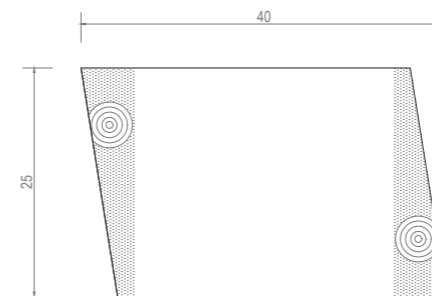
- Shape of irregular rectangle and sharp lines
- Edges toppling inwards
- Polished look.
- Fine sanded finishing and velvety surface
- Oiled surface highly water and dirt repellent
- Decorated by firm hand of a craftsman

### Dimensions:

length 40 cm

width 25 cm

thikness 2.1 cm



Available in walnut and cherry wood.



*\*Note: Dimensions may vary slightly due to manual production.*







## MARRAKESH

Board Marrakesh is inspired by simple linear geometry. This model has very minimalistic décor comprised of the lines that make up pattern. Marrakesh is an impressive presentation piece for meats, roasts and veggies....basically for everything.

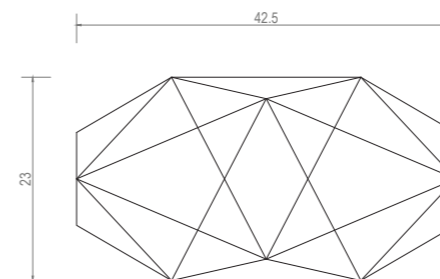
## THE MARRAKESH

Marrakesh is characterized by:

- Shape of irregular rectangle and sharp lines
- Decorated with shallow and thin lines that create decorative pattern
- Edges toppling inwards
- Polished look.
- Fine sanded finishing and velvety surface
- Oiled surface highly water and dirt repellent
- Decorated by firm hand of a craftsman

### Dimensions

**length** 42.5 cm  
**width** 23 cm  
**thickness** 2.1 cm



Available in walnut, cherry wood and oak.



*\*Note: Dimensions may vary slightly due to manual production.*







# CASABLANCA

Board Casablanca is inspired by simplistic geometry. This model has very minimalistic décor, the lines that make up pattern resembling traditional motifs. Casablanca is a welcome gift for your favorite barbecue chef.

## THE CASABLANCA

Casablanca is characterized by:

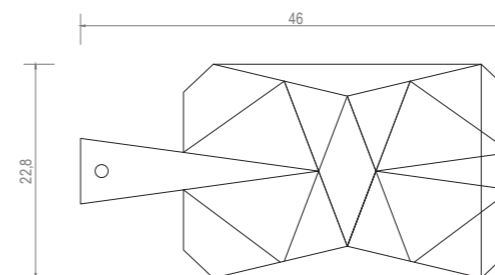
- Shape of irregular rectangle and sharp lines
- Decorated with shallow lines that create decorative pattern
- A hanger hole placed on a handle
- Edges toppling inwards
- Polished look.
- Fine sanded finishing and velvety surface
- Oiled surface highly water and dirt repellent
- Decorated by firm hand of a craftsman

### Dimensions:

**length** 46 cm

**width** 23 cm

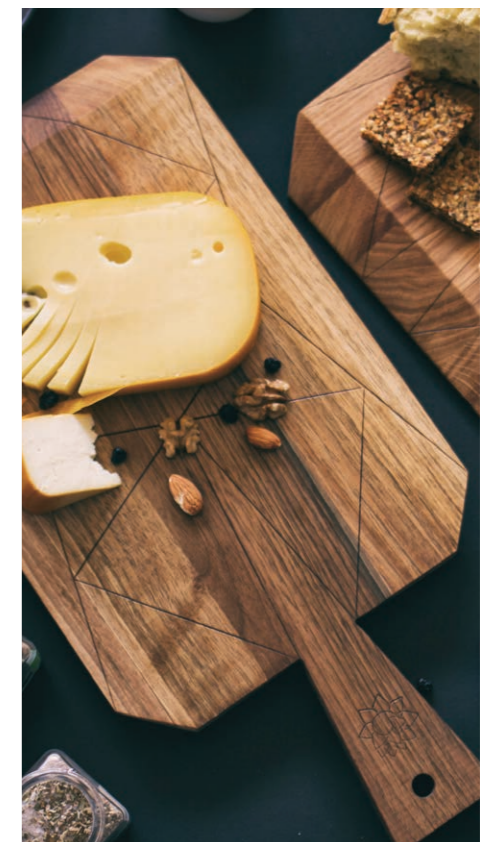
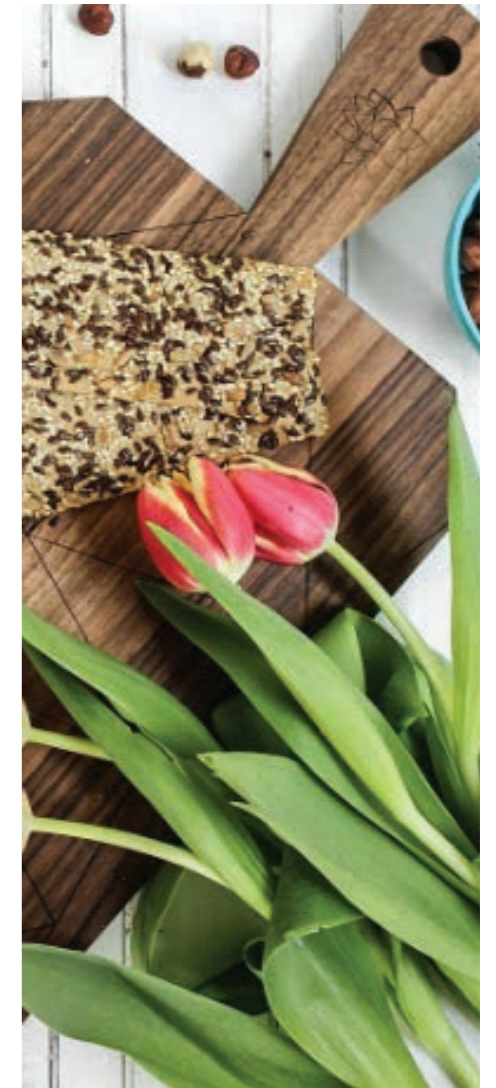
**thickness** 2.1 cm



Available in walnut, cherry wood and oak.



*\*Note: Dimensions may vary slightly due to manual production.*







## FEZ

Board Fez is inspired by simplistic geometry comprised with the shape itself. Fez is handsome enough to be used as a serving platter and table decor at the same time.

## THE FEZ

Fez is characterized by:

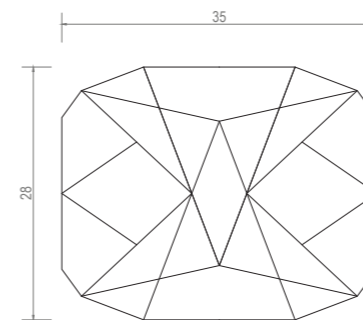
- Shape of irregular rectangle and sharp lines
- Decorated with shallow lines that create decorative pattern
- Edges toppling inwards
- Polished look.
- Fine sanded finishing and velvety surface
- Oiled surface highly water and dirt repellent
- Decorated by firm hand of a craftsman

### Dimensions:

length 35 cm

width 28 cm

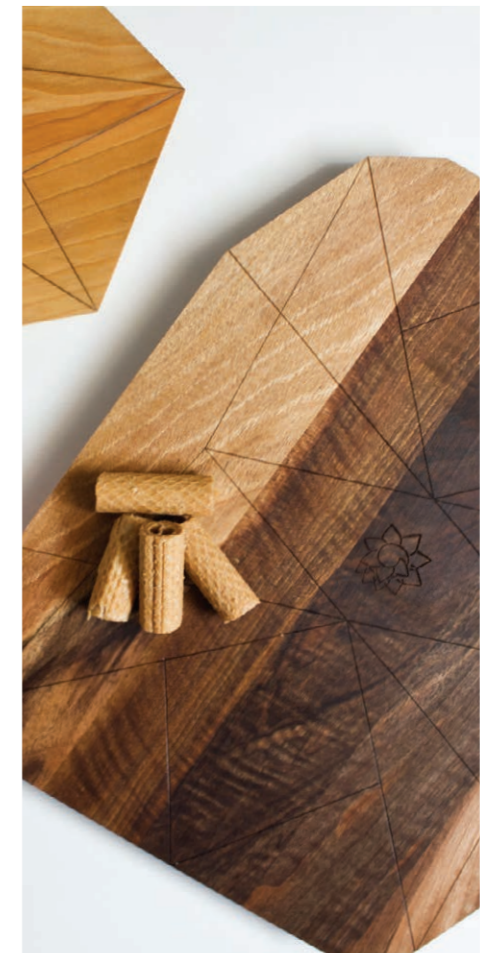
thickness 2.1 cm



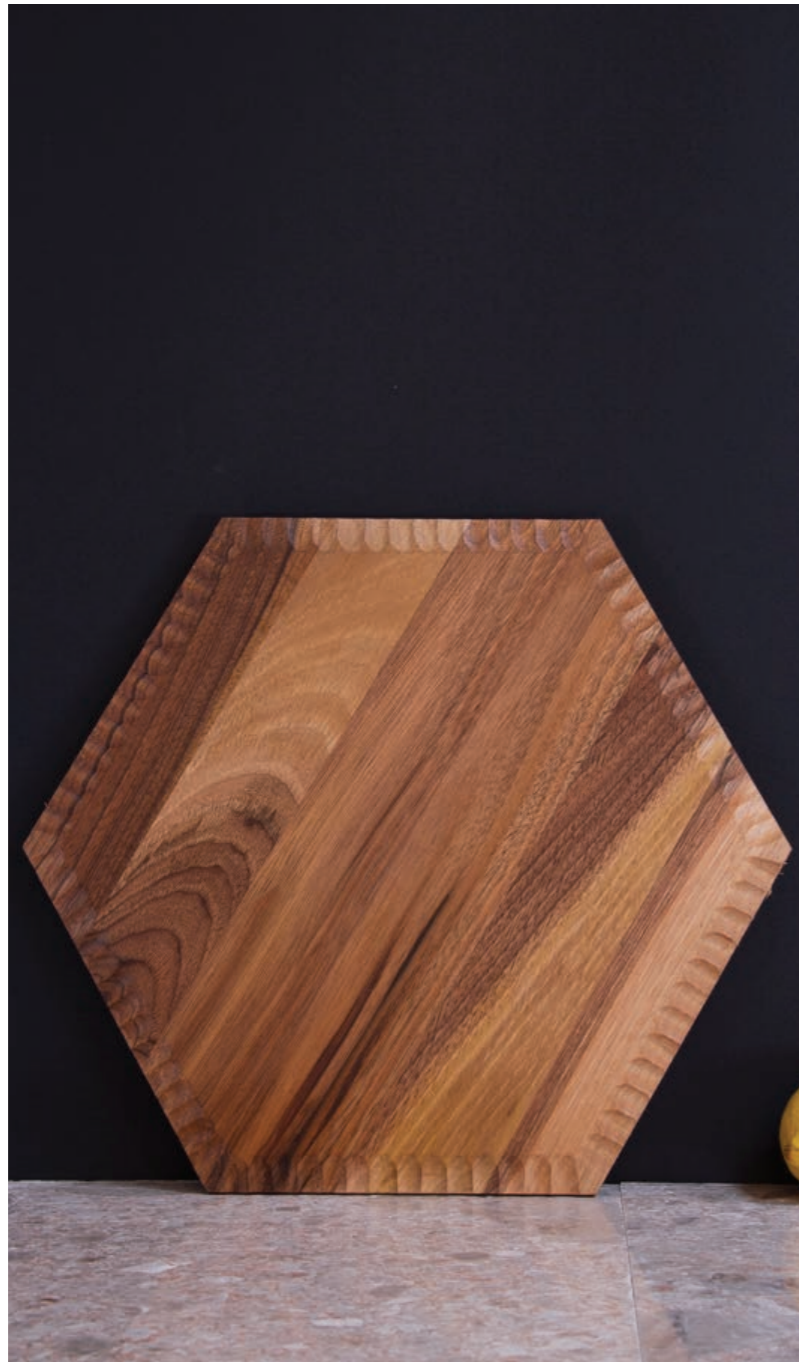
Available in walnut, cherry wood and oak.



*\*Note: Dimensions may vary slightly due to manual production.*







# AFRICA

Board Africa is inspired by basic geometric shape of hexagon. Edges of the board are decorated with simple carving off edges. For its elegance and primal looks, this model is compact and functional for serving to impress.

## THE AFRICA

Africa is characterized by:

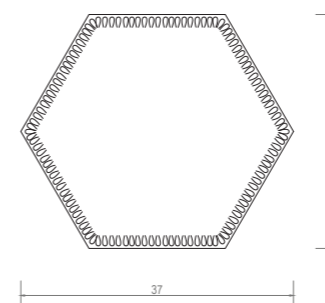
- Shape of regular hexagon and sharp lines
- Decorative pattern on all outside edges of the board
- Edges toppling inwards
- Polished look.
- Fine sanded finishing and velvety surface
- Oiled surface highly water and dirt repellent
- Decorated by firm hand of a craftsman

### Dimensions:

length 32 cm

width 37 cm

thikness 2.1 cm



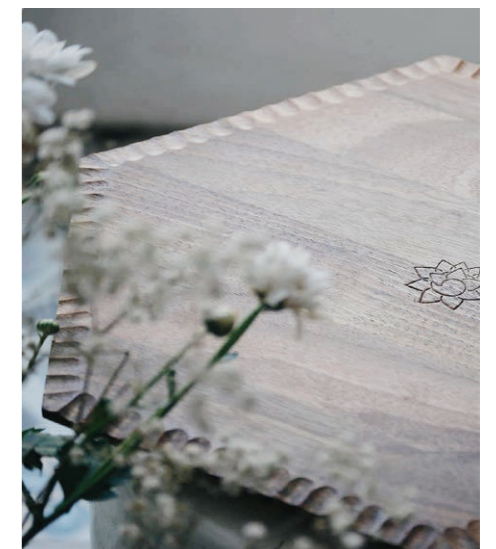
Available at walnut and cherry wood.



cherry



walnut



*\*Note: Dimensions may vary slightly due to manual production.*





# DIAMOND TWINS

Boards Diamond Twins are inspired by irregular shape of diamond structure. This set of two boards will wake up and shake every tabletop composition.

## THE DIAMOND TWINS

Diamond Twins are characterized by:

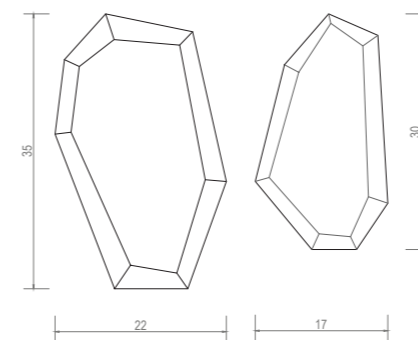
- Irregular shape and sharp lines
- Edges toppling inwards from center
- Polished look.
- Fine sanded finishing and velvety surface
- Oiled surface highly water and dirt repellent
- Decorated by firm hand of a craftsman

### Dimensions:

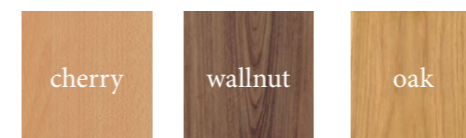
**length** 35/30 cm

**width** 22/17 cm

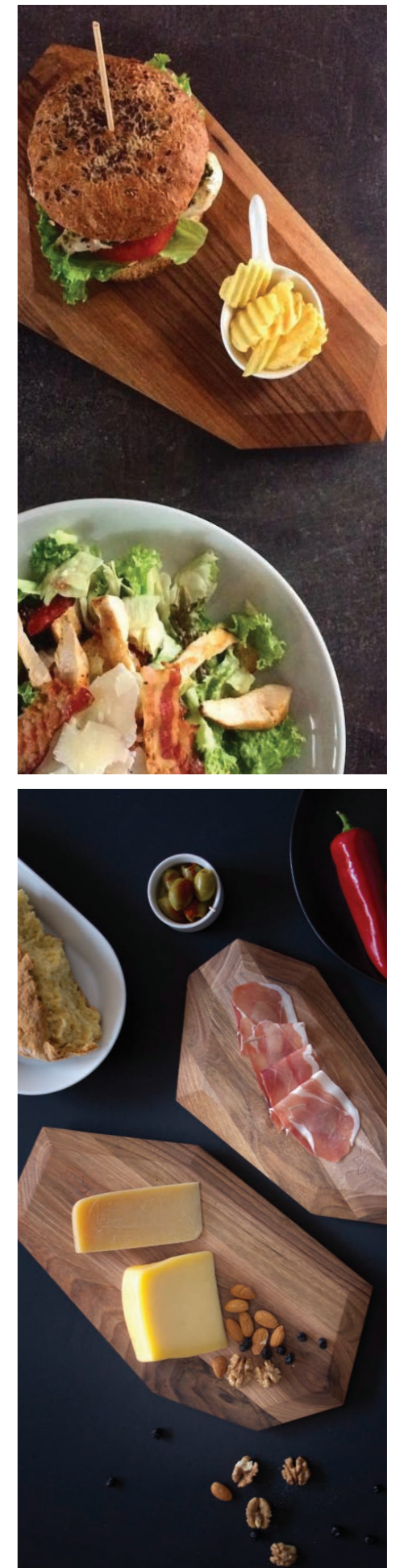
**thikness** 2.1 cm



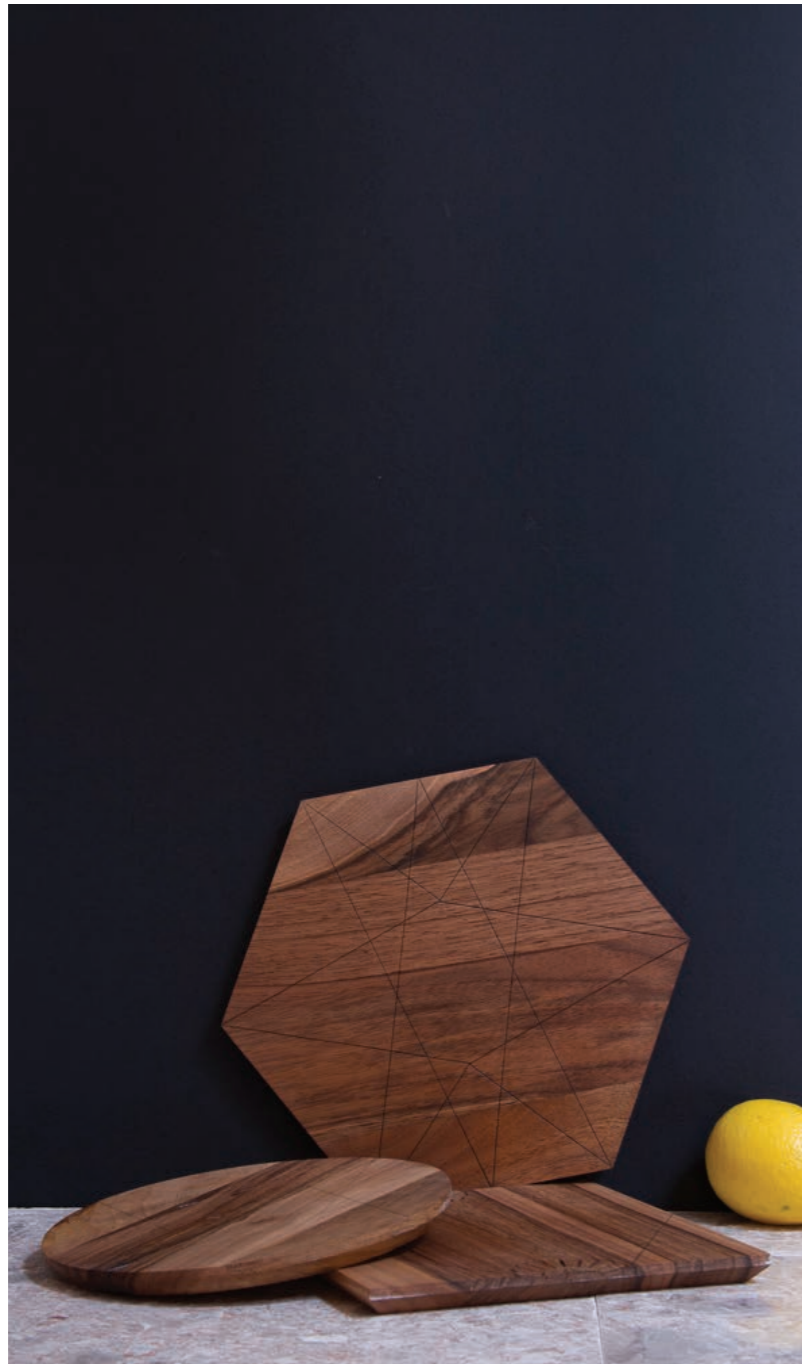
Available in walnut, cherry wood and oak.



*\*Note: Dimensions may vary slightly due to manual production.*







# TRIPLETS

Triplets are inspired by traditional stools. Three boards have shapes of a circle, hexagon and square - as three typologies found in traditional stool known as "peškun". These multipurpose boards will bring playful décor to your table.

## THE TRIPLETS

Triplets are characterized by:

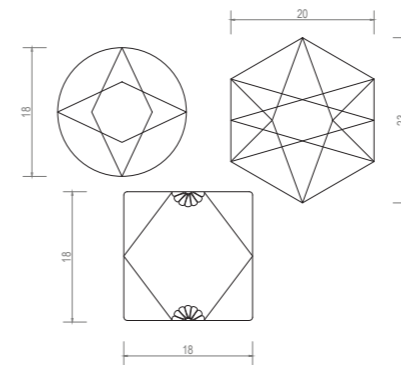
- Regular geometry and sharp lines
- Decorative patterns
- Edges toppling inwards
- Polished look.
- Fine sanded finishing and velvety surface
- Oiled surface highly water and dirt repellent
- Decorated by firm hand of a craftsman

### Dimensions:

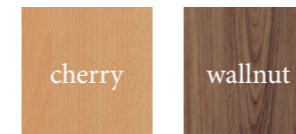
length 18/18/20 cm

width 18/18/23 cm

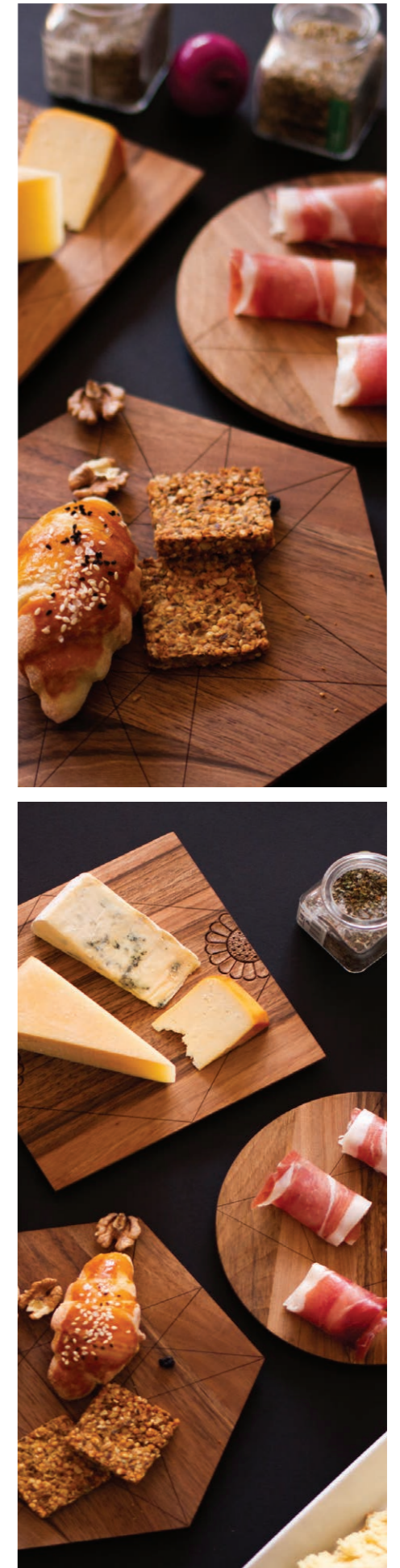
thikness 0,9 cm



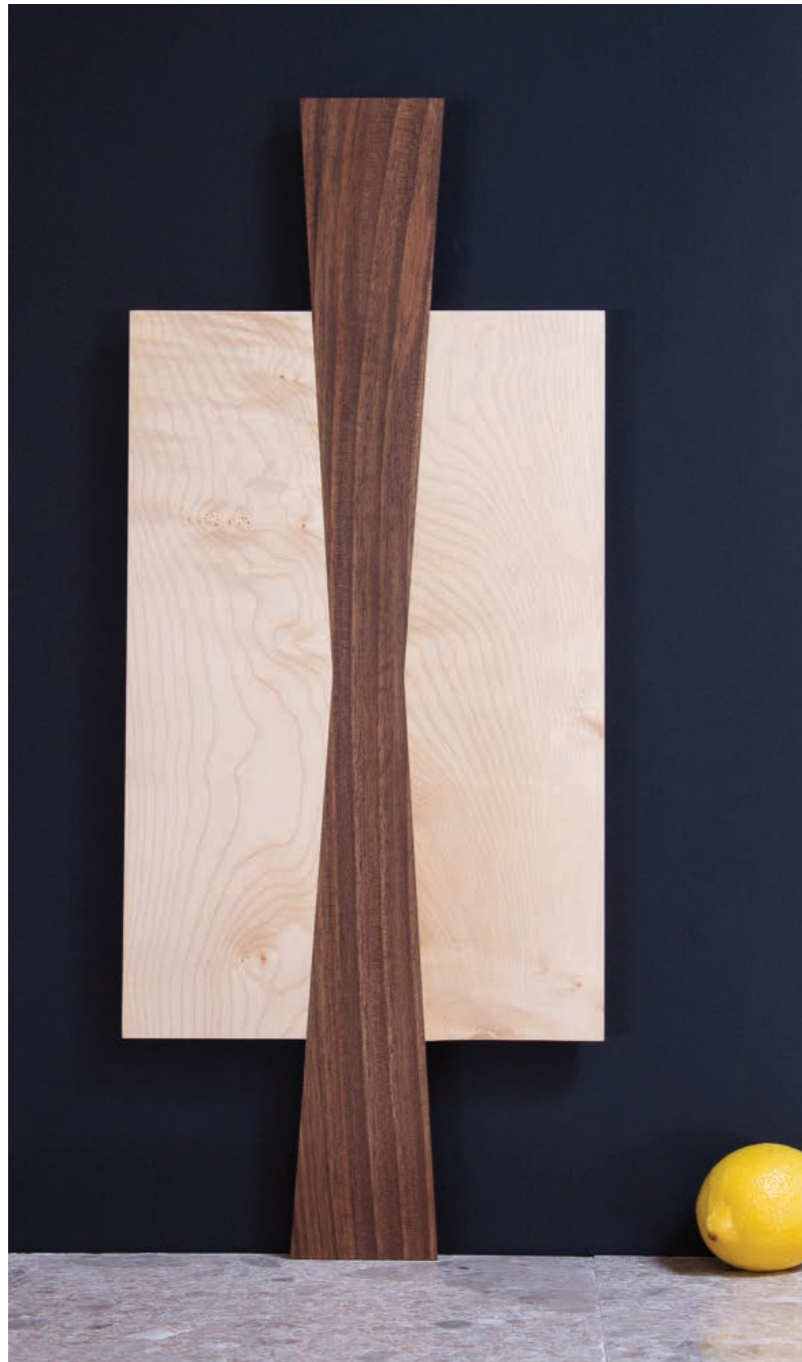
Available in walnut and cherry wood.



*\*Note: Dimensions may vary slightly due to manual production.*







## YIN

Board Yin is inspired by balance and contrast at the same time. Perfect symmetry of shape and contrast of walnut and maple wood, make this board vastly elegant in looks. Yin is a perfect match with catering and any kind of food arrangements.

## THE YIN

Yin is characterized by:

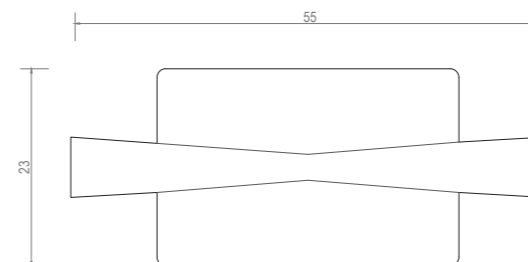
- Symmetric geometry and sharp lines
- Two types of wood
- Edges toppling inwards
- Polished look.
- Fine sanded finishing and velvety surface
- Oiled surface highly water and dirt repellent
- Decorated by firm hand of a craftsman

### Dimensions:

**length** 54 cm

**width** 23 cm

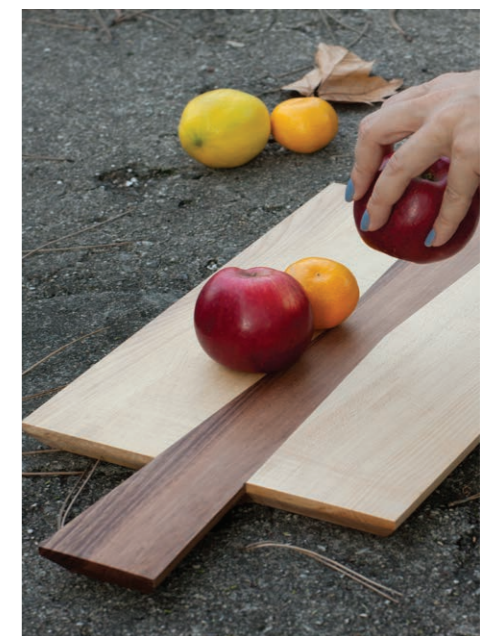
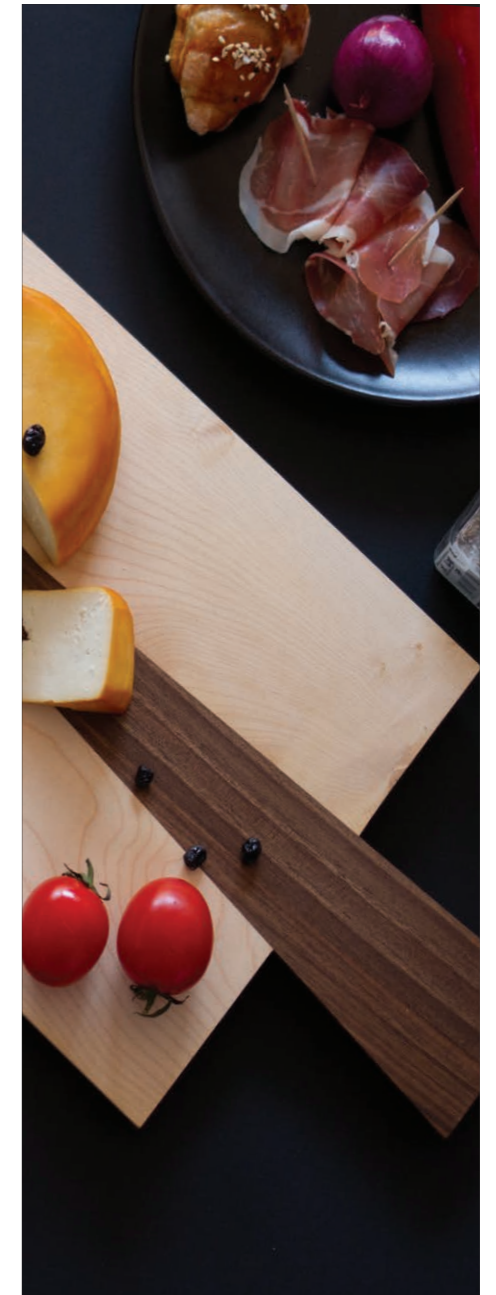
**thikness** 2.1 cm



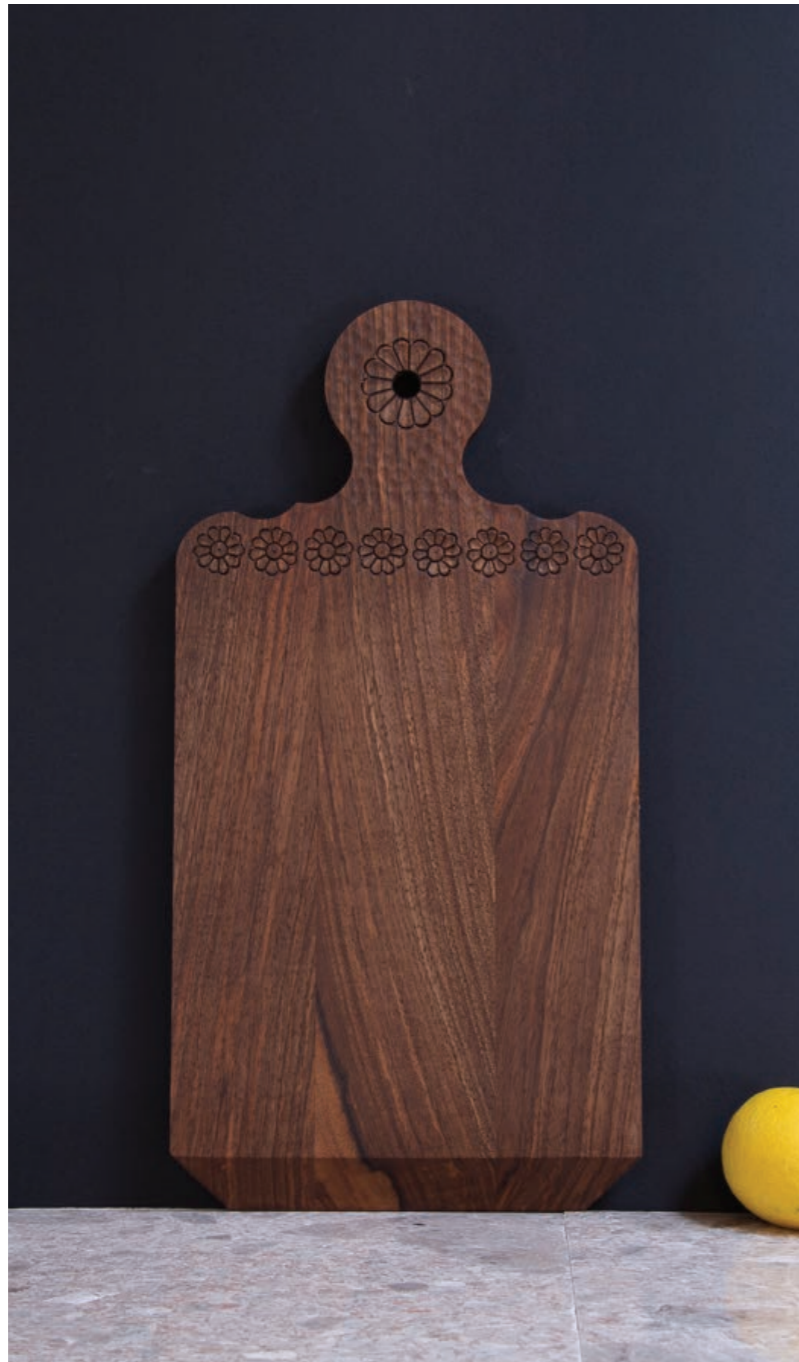
Available in walnut/maple wood.



*\*Note: Dimensions may vary slightly due to manual production.*







# ISTANBUL

Board Istanbul is inspired by shapes of Eastern architecture and geometry. Board is very decorative with details of traditional Bosnian small rose, famous in tradition of Konjic woodcarving. Istanbul is a “cutie” amongst all Waga models and it’s a perfect breakfast serving board to sweeten up every day.

## THE ISTANBUL

Istanbul is characterized by:

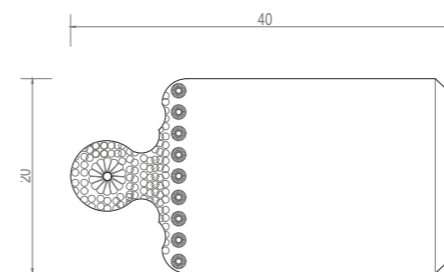
- Symmetric shape and soft lines
- Featured with decorated handle with hanger hole
- Edges toppling inwards
- Polished look.
- Fine sanded finishing and velvety surface
- Oiled surface highly water and dirt repellent
- Decorated by firm hand of a craftsman

### Dimensions:

**length** 40 cm

**width** 20 cm

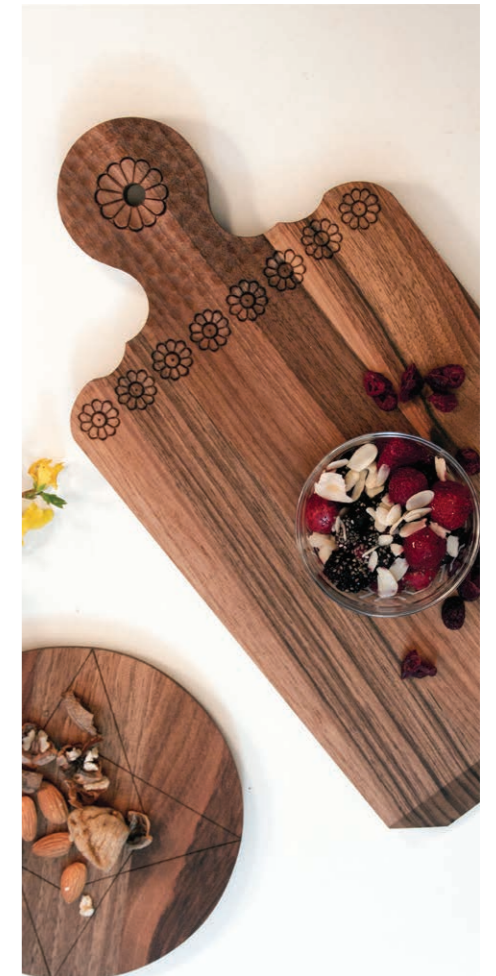
**thikness** 2.1 cm



Available in walnut and cherry wood.



*\*Note: Dimensions may vary slightly due to manual production.*







## ZEN

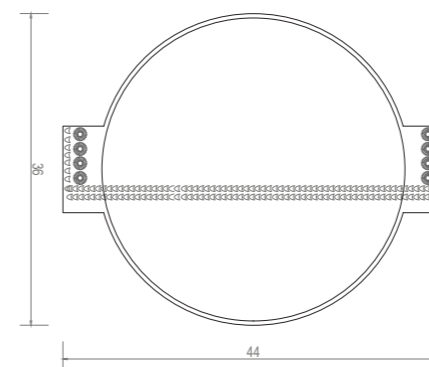
Serving board Zen is inspired by primal geometry – a circle with handles. Decoration on the board is placed asymmetrical on the surface and comprised of two traditional reshma lines. Zen is the perfect match for lazy morning coffee and tea.

## THE ZEN

Zen is characterized by:

- Regular circle shape with side handles
- Decorated by traditional woodcarving details
- Edges carved manually into waves
- Polished look.
- Fine sanded finishing and velvety surface
- Oiled surface highly water and dirt repellent
- Decorated by firm hand of a craftsman

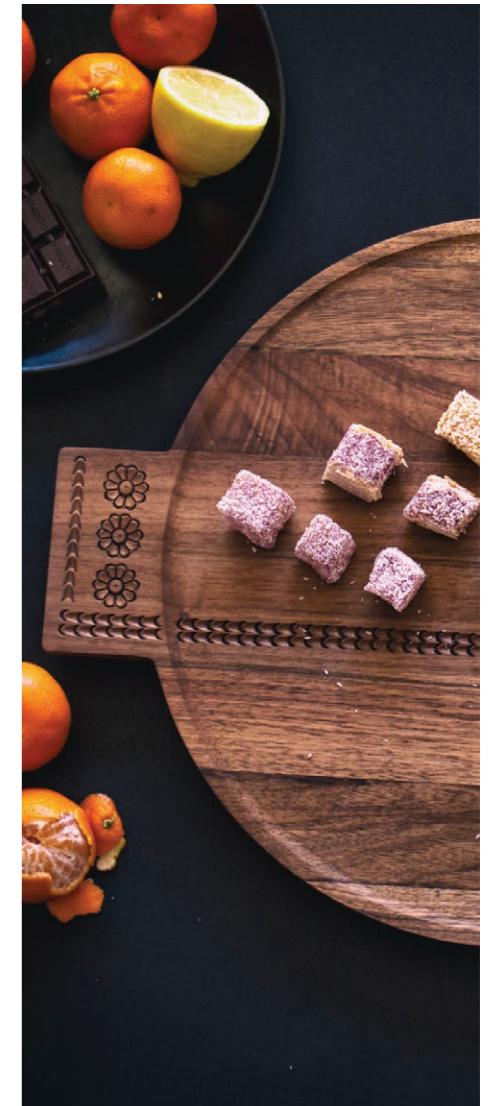
**Dimensions:**  
**length** 44 cm  
**width** 36 cm  
**thikness** 2.5 cm



Available in walnut and ash wood.



*\*Note: Dimensions may vary slightly due to manual production.*







# UNA

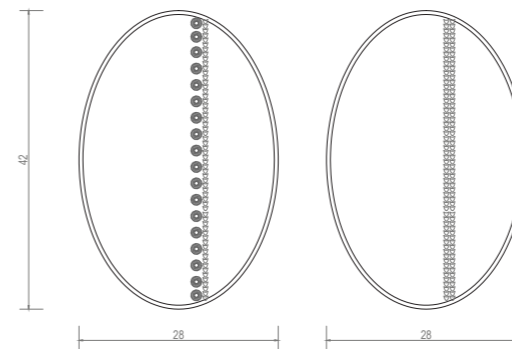
Serving board Una is inspired by unity in compact ellipse shape and traditional woodcarving decor. Una is an impressive tray for all kind of servings. Whether it be dinner or tea party, it's always a win-win.

## THE UNA

Una is characterized by:

- Two different designs
- Regular elliptic shape
- Decorated by traditional woodcarving details
- Edges carved manually into waves
- Polished look.
- Fine sanded finishing and velvety surface
- Oiled surface highly water and dirt repellent
- Decorated by firm hand of a craftsman

**Dimensions:**  
**length** 42 cm  
**width** 28 cm  
**thickness** 2.5 cm



Available in walnut and ash wood.



*\*Note: Dimensions may vary slightly due to manual production.*







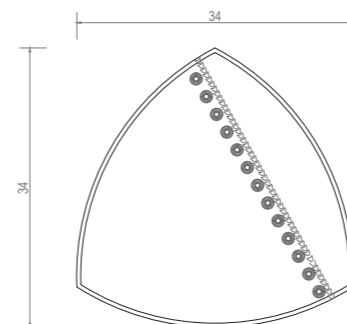
# BOSNIA

Serving board Bosnia is inspired by heart geometry – in a shape of a heart it proudly stands with name Bosnia, as a heart shaped country. Bosnia is a lovely addition to all homelike occasions.

## THE BOSNIA

- Bosnia is characterized by:
- Regular triangular shape
  - Decorated by traditional woodcarving details
  - Edges carved manually into waves
  - Polished look.
  - Fine sanded finishing and velvety surface
  - Oiled surface highly water and dirt repellent
  - Decorated by firm hand of a craftsman

**Dimensions:**  
**length** 34 cm  
**width** 34 cm  
**thikness** 2.6 cm



Available in walnut and ash wood.



*\*Note: Dimensions may vary slightly due to manual production.*







# PABULLUM

Pabullum is a bread board with incurved crump gutters. Surface within gutters is textured by traditional woodcarving motifs. Pabullum is a bread and cheese board that takes over all the fame on every table.

## THE PABULLUM

Pabullum is characterized by:

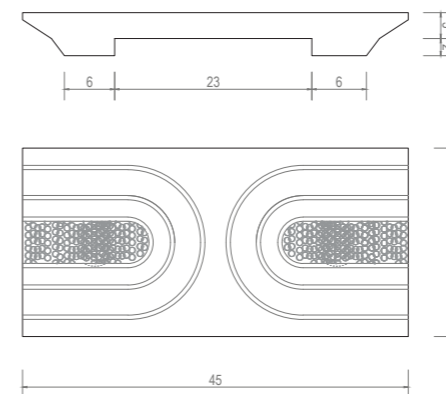
- Regular rectangle shape
- Surface with gutters textured by traditional motifs
- Rised on “legs” with sides toppling inwards
- Polished look.
- Fine sanded finishing and velvety surface
- Oiled surface highly water and dirt repellent
- Decorated by firm hand of a craftsman

### Dimensions:

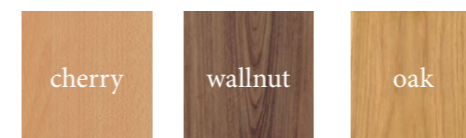
**length** 45 cm

**width** 22 cm

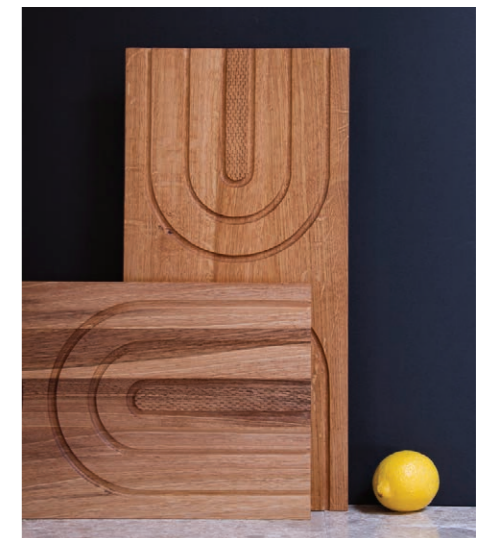
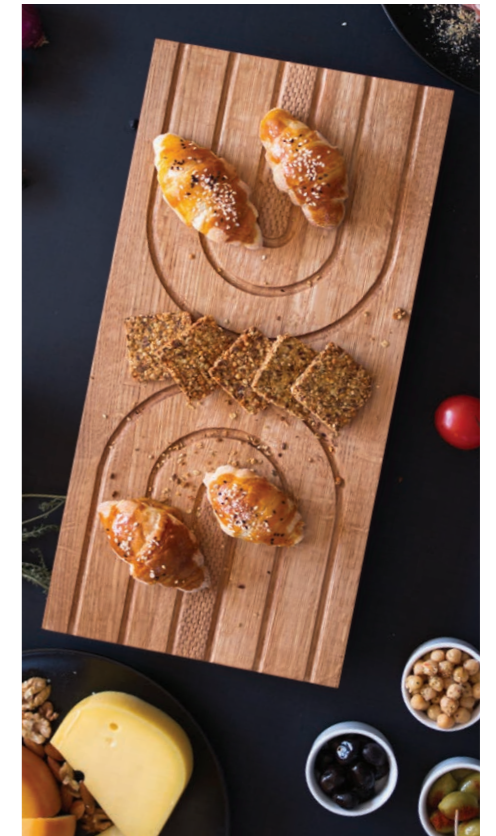
**thikness** 4/2.1 cm



Available in walnut and oak wood.



*\*Note: Dimensions may vary slightly due to manual production.*







# MEDELLA

Medella is a serving board with manually textured surface that resembles a tree crocheted. It's a double plated, flying board that makes a perfect table centerpiece. If You are too busy to cook, place Medella with some basics on the table and wait for compliments. We also love it for keeping décor, such as candles or glasses.

## THE MEDELLA

Medella is characterized by:

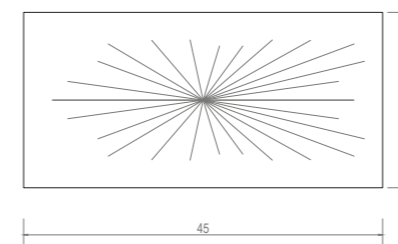
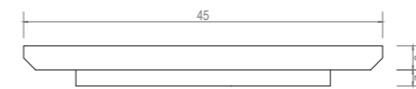
- Regular rectangle shape
- Fully textured surface
- Double plated board
- Polished look.
- Fine sanded finishing and velvety surface
- Oiled surface highly water and dirt repellent
- Decorated by firm hand of a craftsman

### Dimensions:

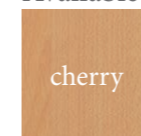
length 45 cm

width 22 cm

thickness 5/2 cm



Available in walnut and cherry wood.



cherry



walnut



*\*Note: Dimensions may vary slightly due to manual production.*



## MATERIALS AND FINISHING

Waga Wood products are made of locally available wood in Bosnia and Herzegovina.

**Made from renewable and responsibly harvested wood, Waga is committed to environmentally sound sourcing and practices. All of Waga cutting boards are made using non-toxic glues and finishes, ensuring that each board is safe for you and your family. Waga never uses any treated wood, wood stains or varnishes.**

Wood type availability depends on the amount of wood carved decoration on each model. Hard woods can not be carved by traditional tools due to hardness.

Wood options: Walnut, Oak, Cherry, Maple and Ash.



As a final protection of wood surface we use WOCA Worktop Oil, designed for untreated or previously oiled/sanded wood surfaces. The oil makes the surface highly water and dirt repellent. Oil is applied by brush in two layers.

Each board will include the stamped logo and label WAGA.

## LABELS

Waga Wood product are distributed with paper label that declares basic information about our products, as well as care instructions.

Additional label is attached to give information about Konjic woodcarving and UNESCO nomination.

## CARE INSTRUCTIONS:

Normal wear is to be expected with any cutting/serving wood surface, but with proper care, our products can last a lifetime.

Boards should never be submerged in water for extended periods of time. Never place Your wooden board in the dishwasher. Never place hot pots and pans or other very hot items on your wood cutting board surface as it could char and discolor.

After You are done with Your cutting board, brush with a little soap and warm water, rinse and dry thoroughly.

A few times a year, or more with heavier use, we recommend seasoning your cutting board using a beeswax & oil wood conditioning paste, or simply some linseed oil. When your board becomes lighter in color and feels “dry” to the touch, that is when you know it is time to re-season your board.

## DECORATION

Each board is manufactured manually and as such is original and unique. All decorations are made by skilled hand of a craftsman, using traditional tools and methods.

Decorations used in Waga Wood products are sometimes modified and differently interpreted compared to traditional motifs.

However, all details are implemented by hand, from heart and with traditional tools.





# ABOUT US

---

Located in a small city of Konjic in Bosnia and Herzegovina. Waga is rooted in the Konjic design tradition, characterized by enduring aesthetics, craftsmanship, sustainability and quality. By expanding this heritage with sustainable materials, innovative techniques, creativity and striking design, our ambition is to deliver new perspectives on natural design.

The idea behind starting the Waga brand is an attempt to revive traditional woodcarving with products that will serve modern everyday life. Over the past decades Konjic woodcarving was in decline, traditional products did not find its place in homes of modern families. Waga tableware is a brave idea on how to bring our woodcarving back to homes, but also to present this wonderful tradition to the world.

We are a small team of one architect/designer, four craftsmen and one craftswomen. We are committed to making high quality products, impressive design and increasing the popularity of the woodcarving in our community and wider. Our overall goal is to make this tradition sustainable as a source of income for local people and popular worldwide.

Traditional woodcarving from Konjic was inscribed by UNESCO in 2017. to the Representative List of the Intangible Cultural Heritage of Humanity. By using our products You are contributing to preserving traditional expertise and reviving heritage.



*\*Read more: <https://ich.unesco.org/en/RL/konjic-woodcarving-01288>*



## CONTACT US

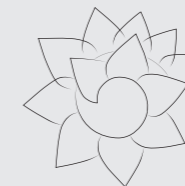
**Contact Sales Support**  
wagawood@wagawood.com

**Get in Touch**  
Contact person: Jasmina Dizdarevic  
contact@wagawood.com  
+387 61 361 555

**Find as in Konjic:**  
Varda 1L/7, Konjic 88400, Bosna i Hercegovina

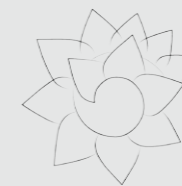
**Visit our web site (currently under construction):**  
[www.wagawood.com](http://www.wagawood.com)

**Visit our social network profiles:**  
Instagram/waga.wood  
Facebook/wagawood





NOTES:



**WAGA**  
wood love

[www.wagawood.com](http://www.wagawood.com)